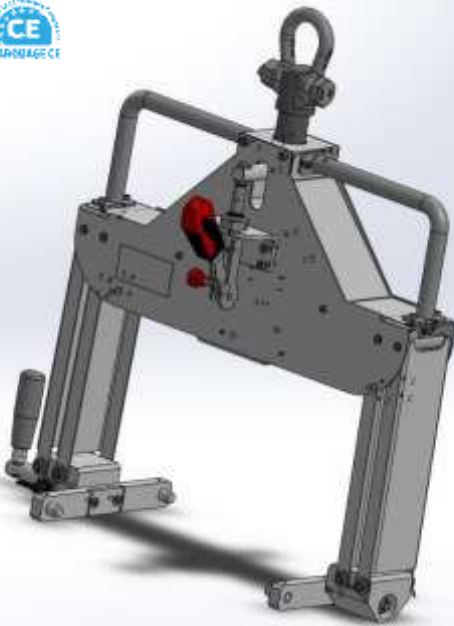


# Plate lifting tool



## Description

This lifting tool allows trays to be picked up, completely overturned or positioned at 90° with locking.

It is self-tightening. Locking in the open position and unlocking is ensured by a toggle clamp.



SWL : up to 100 kg

Contact :

[mastermeca@mastermeca.fr/en/](mailto:mastermeca@mastermeca.fr/en/)

+33 4 70 05 75 82

