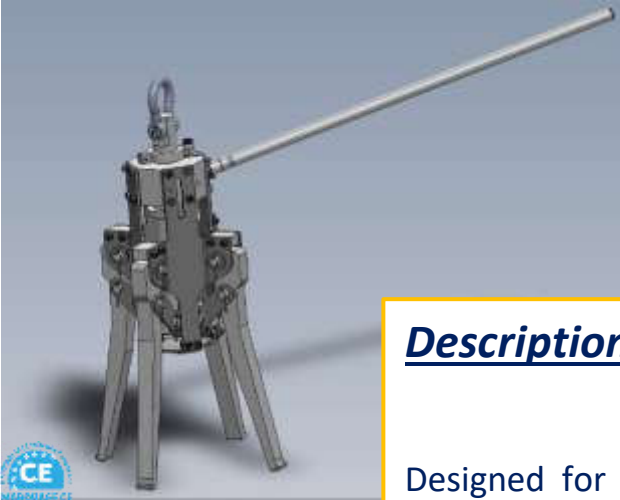


Inside grip pliers



Description

Designed for takened by the inside diameter, this gripper allows the manipulation of heavy loads on narrow contact surfaces.

This clamp is self-tightening with manual unlocking control.



Diameter : 150 to 500 mm



SWL : 50 to 5000 kg

Contact :

mastermeca@mastermeca.fr/en/

+33 4 70 05 75 82

